

#JUSTOBEGLEAN



COMPACT EXTRACTOR



DEPURECO INDUSTRIAL VACUUMS SRL

DUTTON RD SAN MARCOS, TEXAS, U.S.A. 78666.
TEL. +1 512-827-3701
DEPURECO@DEPURECO.COM WWW.DEPURECOUSA.COM

 @DEPURECOINDUSTRIALVACUUMS

 @DEPURECO INDUSTRIAL VACUUMS



MANUAL SHAKER

STUDIED FOR SHAVINGS, GRANULES AND WET MATERIALS ·
HAND SHAKER SYSTEM FOR STAR FILTER CLEANING ·

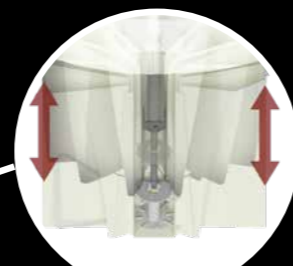


SIMPLE AND EFFICIENT



PSC SYSTEM

STUDIED FOR SHAVINGS, GRANULES AND WET MATERIALS ·
SEMI - AUTOMATIC HAND SHAKER SYSTEM FOR STAR FILTER CLEANING ·



EFFICIENT AND RELIABLE

SP-SYSTEM

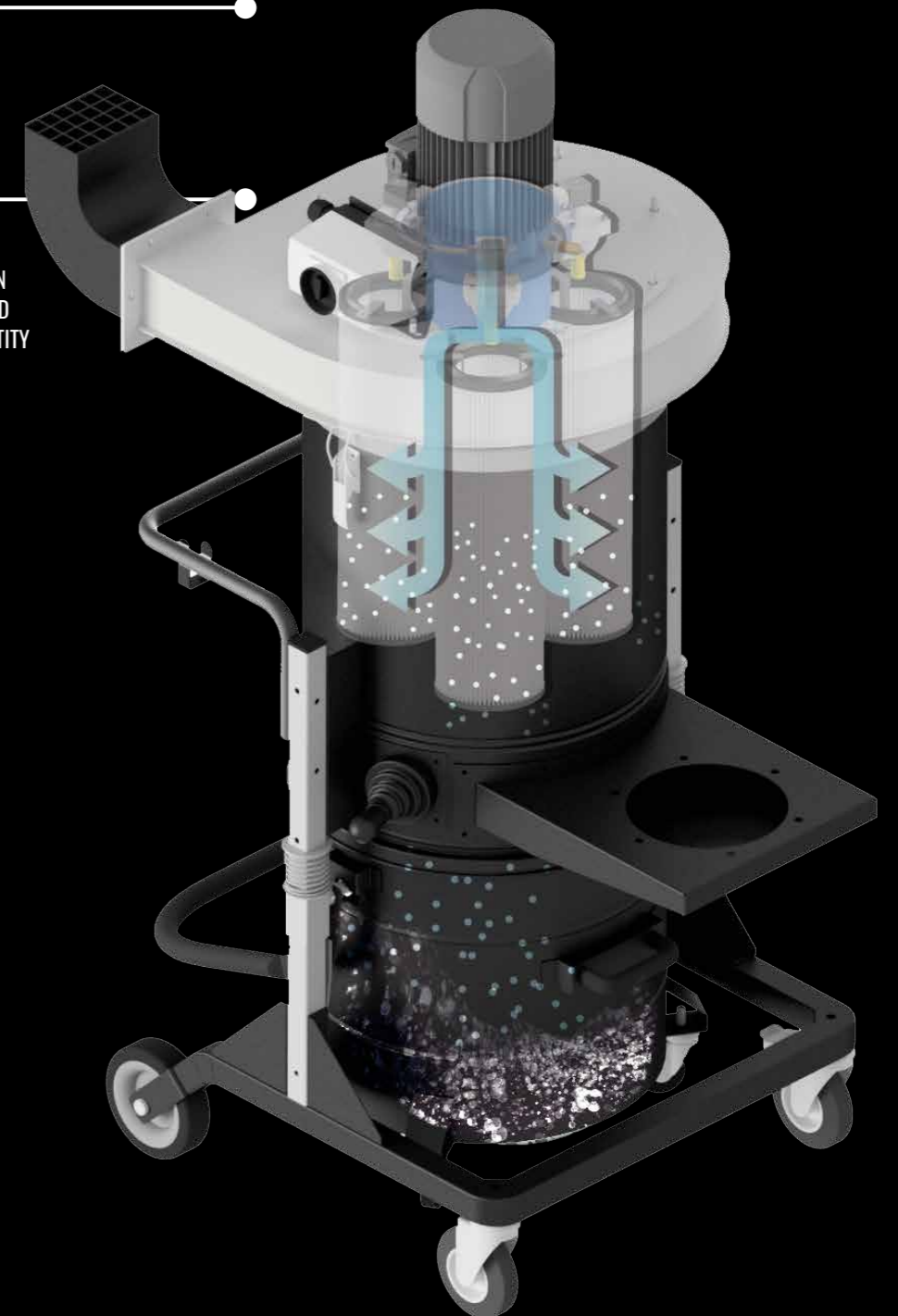
THE SP SYSTEM ALLOWS TO KEEP THE FILTER CLEAN
AUTOMATICALLY WITHOUT STOPPING THE VACUUM.
EACH FILTER IS CLEANED PERIODICALLY WITH A
COMPRESSED AIR JET.

THE SP SYSTEM IS PERFECT FOR LARGE QUANTITIES
OF FINE AND DIFFICULT DUSTS.

CYCLICAL PROGRAMMER INSTALLED
ON THE VACUUM THANKS TO THE TOUCHSCREEN
IT IS POSSIBLE TO SET THE CLEANING CYCLE AND
ADJUST THE SYSTEM ACCORDING TO THE QUANTITY
AND THE KIND OF POWER.



CLEANING
THE FILTER
IS IMPORTANT



DF075



DF075

DF22



DF22

POWER	HP	1.5
VOLTAGE FREQUENCY	V Hz	480 60
MAXIMUM VACUUM	inH2O	9.84 9.25 5.51
AVAILABLE STATIC INLET PRESSURE	inH2O	9.84 8.66 3.93
MAXIMUM AIR FLOW	CFM	264 547 883
INLET	Ø in	2.76 3.94 4.72
SURFACE AREA	in ²	3720
FILTRATION EFFICIENCY		CLASSE EN 60335-2-69 - M CLASS (1µ)
BIN CAPACITY	gal	17 / 26

POWER	HP	3.45
VOLTAGE FREQUENCY	V Hz	480 60
MAXIMUM VACUUM	inH2O	14.2 14.9 14.2
AVAILABLE STATIC INLET PRESSURE	inH2O	14.2 14.5 13.7
MAXIMUM AIR FLOW	CFM	265 589 753
INLET	Ø in	3.94 4.72 5.90
SURFACE AREA	in ²	3720
FILTRATION EFFICIENCY		CLASSE EN 60335-2-69 - M CLASS (1µ)
BIN CAPACITY	gal	17 / 26

STANDARD M CLASS STAR FILTER
SUITABLE FOR ALL NEEDS



PSC
SEMI-AUTOMATIC
PNEUMATIC
FILTER SHAKER



SP SYSTEM
AUTOMATIC
REVERSE
JET CLEANING
SYSTEM



**ABSOLUTE FILTER
HEPA H14**

FILTRATION EFFICIENCY
OF 99,995 % OVER 0,18 µ



3 YEARS WARRANTY

ORDER ALL REPLACEMENT FILTERS ALONG WITH THE VACUUM CLEANER
GET THE DEAL OF AN EXTENDED WARRANTY

DF40



DF40

DF55



DFFIX

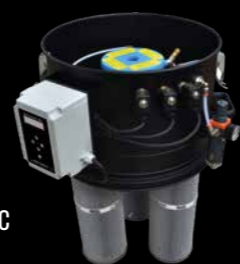
POWER	HP	6.2
VOLTAGE FREQUENCY	V Hz	480 60
MAXIMUM VACUUM	inH2O	18.5 15.7 10.6
AVAILABLE STATIC INLET PRESSURE	inH2O	18.1 13.7 7.8
MAXIMUM AIR FLOW	CFM	589 1295 1883
INLET	Ø in	5.90 7.09 7.87
SURFACE AREA	in ²	6975
FILTRATION EFFICIENCY		CLASSE EN 60335-2-69 - M CLASS (1µ)
BIN CAPACITY	gal	17

	DF FIX 55	DF FIX 75	
POWER	HP	8.5	9
VOLTAGE FREQUENCY	V Hz	480 / 60	480 / 60
MAXIMUM VACUUM	inH2O	25.9	39.7
AVAILABLE STATIC INLET PRESSURE	inH2O	25.2	21.2
MAXIMUM AIR FLOW	CFM	1589	2472
INLET	Ø in	7.87	7.87
SURFACE AREA	in ²	6975	6975
FILTRATION EFFICIENCY		CLASSE EN 60335-2-69 - M CLASS (1µ)	CLASSE EN 60335-2-69 - M CLASS (1µ)
BIN CAPACITY	gal	46	46

STANDARD M CLASS STAR FILTER
SUITABLE FOR ALL NEEDS



PSC
SEMI-AUTOMATIC
PNEUMATIC
FILTER SHAKER

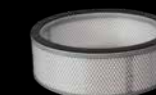


SP SYSTEM
AUTOMATIC
REVERSE
JET CLEANING
SYSTEM



**ABSOLUTE FILTER
HEPA H14**

FILTRATION EFFICIENCY
OF 99,995 % OVER 0,18 µ



3 YEARS

WARRANTY

ORDER ALL REPLACEMENT FILTERS ALONG WITH THE VACUUM CLEANER
GET THE DEAL OF AN EXTENDED WARRANTY

DISCHARGE SYSTEMS



BALANCED FLAP



DISCHARGE SYSTEMS



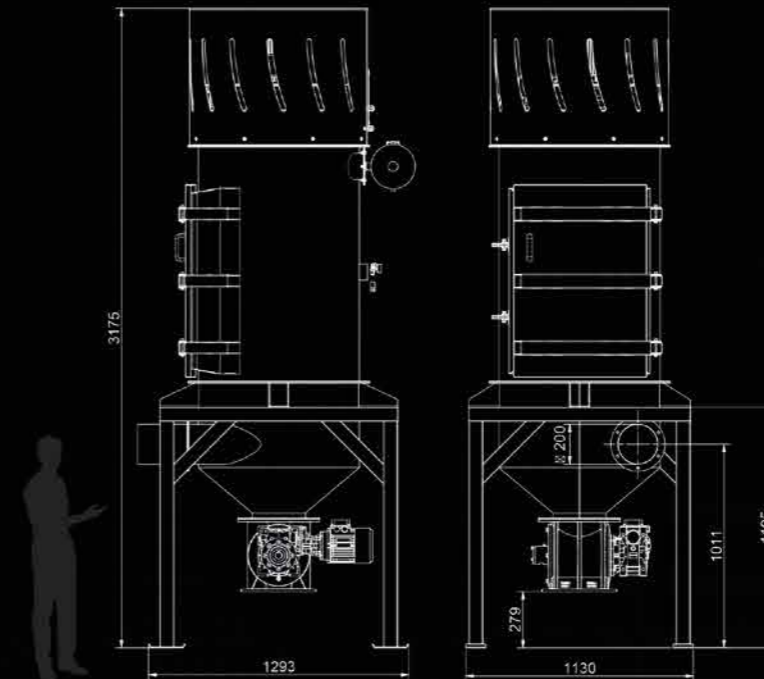
MANUAL DISCHARGE BUTTERFLY VALVE



DOUBLE ELECTRO PNEUMATIC DISCHARGING BUTTERFLY VALVE



ROTATING LEVEL SENSOR



DV AIR FLOW

		DV-AIR AF 40	DV-AIR AF 55
POWER	HP	6,2	8,5
VOLTAGE FREQUENCY	V/Hz	480 60	480 60
MAXIMUM VACUUM	in	18.5	25.9
AVAILABLE STATIC INLET PRESSURE	in	18.1	25.2
MAXIMUM AIR FLOW	CFM	1295	1589
INLET	Ø in	7.87	7.87
SURFACE AREA	in ²	52700	52700
FILTRATION EFFICIENCY		CLASSE EN 60335-2-69 - M CLASS (1µ)	CLASSE EN 60335-2-69 - M CLASS (1µ)



SP SYSTEM
AUTOMATIC REVERSE JET CLEANING SYSTEM



3 YEARS WARRANTY

ORDER ALL REPLACEMENT FILTERS ALONG WITH THE VACUUM CLEANER
GET THE DEAL OF AN EXTENDED WARRANTY

FILTER SOLUTIONS

TYPE OF FILTERS

"M" CLASS STAR FILTER



FINE DUSTS, GRANULES, SHAVINGS AND DRY MATERIALS

ANTISTATIC "M" CLASS STAR FILTER



FINE DUSTS, GRANULES, SHAVINGS AND MATERIALS TENDING TO BE ELECTROSTATICALLY CHARGED. STANDARD ON ALL ATEX MODELS

NOMEX STAR FILTER



DUSTS AND SOLIDS WITH TEMPERATURES UNTIL 250°C

ACTIVATED CARBON FILTER



8KG ACTIVATED CARBON ELIMINATES BAD SMELLS

PTFE STAR FILTER



VERY FINE AND CLOGGING DUSTS, HYGROSCOPIC AND WET MATERIALS, CERTIFIED FOR FOOD

M CLASS CARTRIDGE



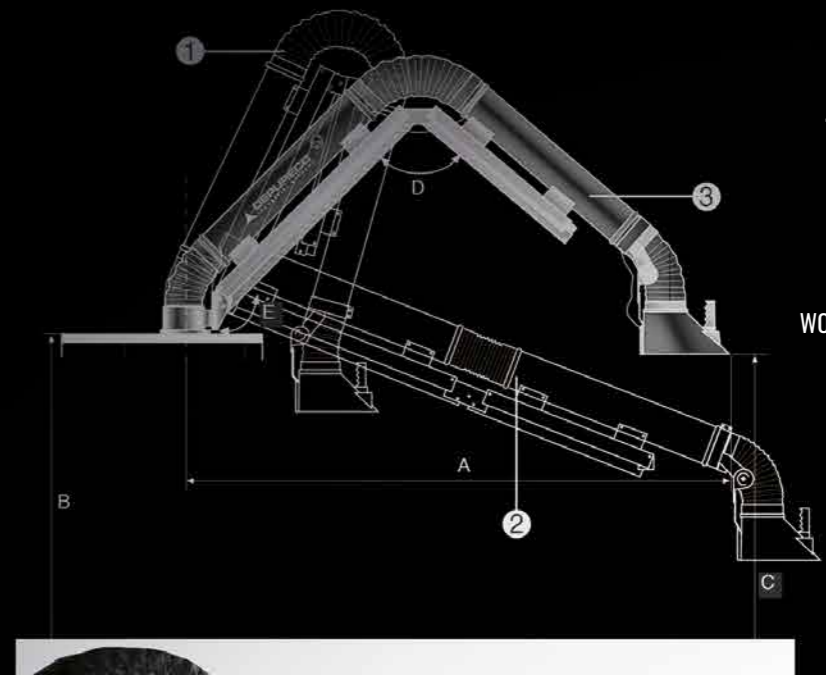
LARGE QUANTITIES OF FINE AND CLOGGING DUSTS, AVAILABLE ON ALL SP VERSIONS, AUTOMATIC REVERSE JET CLEANING



FILTRATION EFFICIENCY OF 99,995 % OVER 0,18 µ

SUCTION ARMS

TYPE OF ARMS



TROLLEY VERSION

CLOSED ARM 1
25 IN

OPEN ARM 2
102 IN

WORKING POSITION 3
90.5 IN

ARTICULATED ARM
L = 12 06 IN



ARTICULATED ARM
L = 12 06 IN

